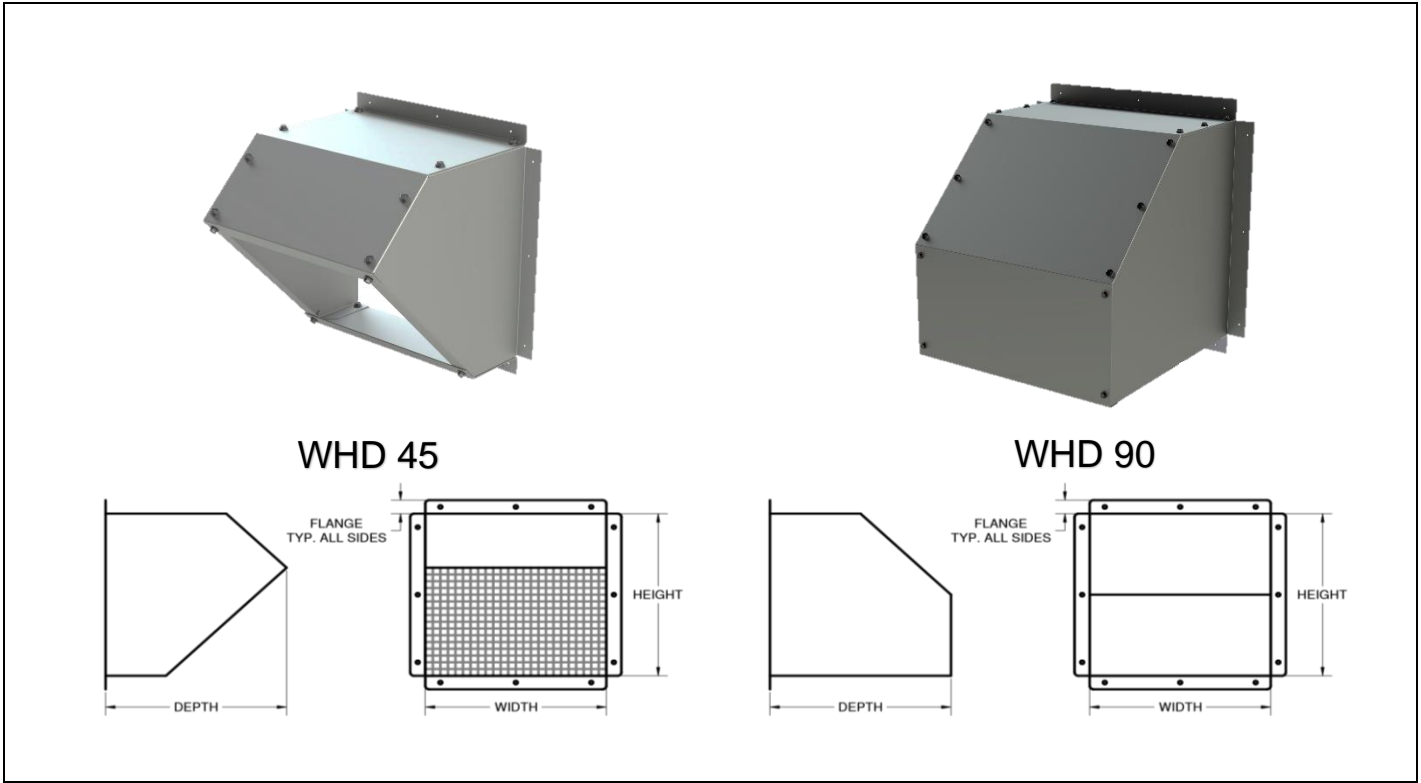


LOUVERS & BACK DRAFT DAMPERS

STANDARD CONSTRUCTION		AVAILABLE ACCESSORIES / OPTIONS
MATERIAL:	0.063" FORMED ALUMINUM	16 / 18 / 20 GA. GALVANIZED STEEL
SCREEN:	19 GA. GALVANIZED BIRDSCREEN -1/2" x 1/2" OPENINGS	ALUMINUM BIRDSCREEN – 1/2" x 1/2" OPENINGS EXPANDED METAL – 0.051" FLATTENED ALUMINUM
FINISH:	MILL	---
CONSTRUCTION:	WITH FASTENERS	WELDED



MODEL	WIDTH in [mm]	HEIGHT in [mm]		DEPTH in [mm]	FLANGE in [mm]
WHD-45-8	WHD-90-8	8 [203]	8 [203]	8 [203]	1 [25]
WHD-45-10	WHD-90-10	10 [254]	10 [254]	10 [254]	1 [25]
WHD-45-12	WHD-90-12	12 [305]	12 [305]	12 [305]	1 [25]
WHD-45-14	WHD-90-14	14 [356]	14 [356]	14 [356]	1 [25]
WHD-45-16	WHD-90-16	16 [406]	16 [406]	16 [406]	1 [25]
WHD-45-18	WHD-90-18	18 [457]	18 [457]	18 [457]	1.5 [38]
WHD-45-20	WHD-90-20	20 [508]	20 [508]	20 [508]	1.5 [38]
WHD-45-22	WHD-90-22	22 [559]	22 [559]	22 [559]	1.5 [38]
WHD-45-24	WHD-90-24	24 [610]	24 [610]	24 [610]	1.5 [38]
WHD-45-26	WHD-90-26	26 [660]	26 [660]	26 [660]	1.5 [38]
WHD-45-28	WHD-90-28	28 [711]	28 [711]	28 [711]	1.5 [38]
WHD-45-30	WHD-90-30	30 [762]	30 [762]	30 [762]	1.5 [38]
WHD-45-32	WHD-90-32	32 [813]	32 [813]	32 [813]	1.5 [38]
WHD-45-34	WHD-90-34	34 [864]	34 [864]	34 [864]	1.5 [38]
WHD-45-36	WHD-90-36	36 [914]	36 [914]	36 [914]	1.5 [38]

*Larger sizes are available, please contact Ventex Inc. for further assistance.

AVAILABLE ACCESSECORIES:

